

SPECIFICATIONS

DIFFERENTIAL PRESSURE GAUGE ANW01B SERIES



Differential Pressure Gauge ANW01B Series

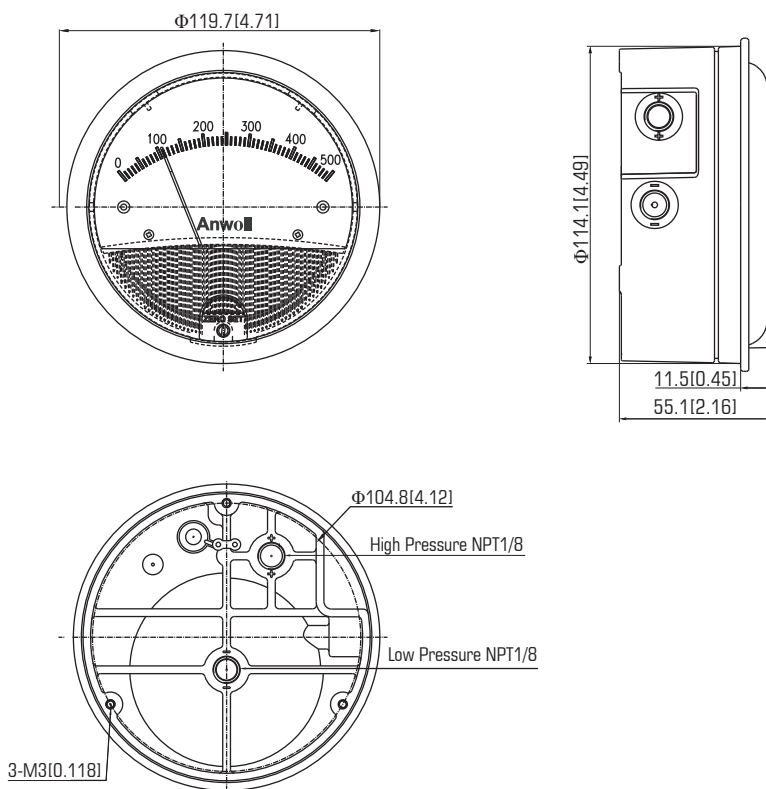
Benefits/features

- Motion of the pointer without inertia or drift
- No hysteresis
- Positive, negative or differential pressure can be measured
- Two pressure ports on the side and back, with three installation options for flexible and versatile applications

Basic information

Medium	Air and non-flammable gases
Pressure range	0...10kPa
Over-pressure protection	110kPa...150kPa The rubber plug pops out automatically
Process connection	1/8"NPT female thread high and low pressure (positive and negative pressure) connection, side and back both a pair Other sizes available upon request
Temperature	Ambient:-7...60 C [19.4...140°F]
Protection standard	IP66
Accuracy	2% FS under 21°C [69.8°F] (>60 Pa, 3%; <60 Pa, 4%)

Dimensions in mm [in]



ORDER CODE SELECTION TABLE

DIFFERENTIAL PRESSURE GAUGE ANW01B SERIES

Differential Pressure Gauge ANW01B Series

Name	Model	Range	Model	Range
ANW01B	ANW01B-30	0...30Pa	ANW01B-8000	0...8kPa
	ANW01B-60	-30...30Pa	ANW01B-10k	0...10kPa
	ANW01B-60a	0...60Pa	ANW01B-0.5in	0.5inWC
	ANW01B-120	-60...60Pa	ANW01B-1in	1inWC
	ANW01B-125	0...125Pa	ANW01B-2in	2inWC
	ANW01B-250	-125...125Pa	ANW01B-3in	3inWC
	ANW01B-250a	0...250Pa	ANW01B-5in	5inWC
	ANW01B-300	0...300Pa	ANW01B-10in	10inWC
	ANW01B-500	-250...250pa	ANW01B-15in	15inWC
	ANW01B-500a	0...500Pa	ANW01B-5mm	5mmWC
	ANW01B-750a	0...750Pa	ANW01B-6mm	6mmWC
	ANW01B-1000	0...1kPa	ANW01B-10mm	10mmWC
	ANW01B-2000	0...2kPa	ANW01B-25mm	25mmWC
	ANW01B-3000	0...3kPa	ANW01B-30mm	30mmWC
	ANW01B-5000	0...5kPa	ANW01B-50mm	50mmWC

1Pa = 0.001kPa=0.10197mmWC
 1inWC=249.08891Pa

(Accept customization)